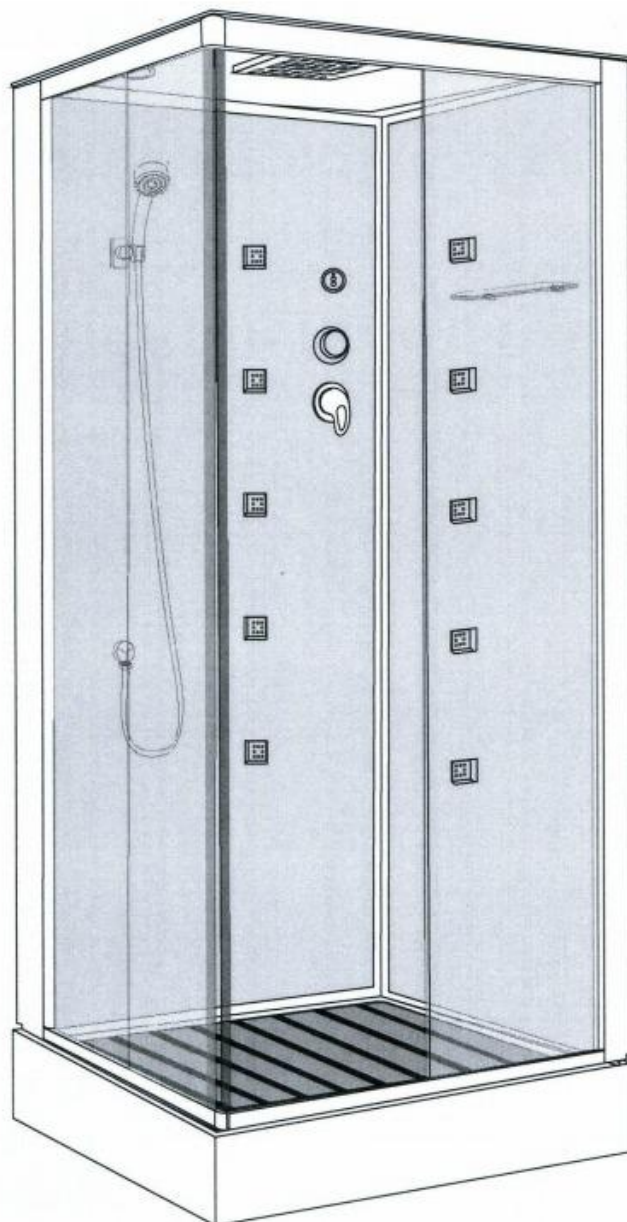


Installation instructions



SIZE : 80*80*210 CM

Installation instructions

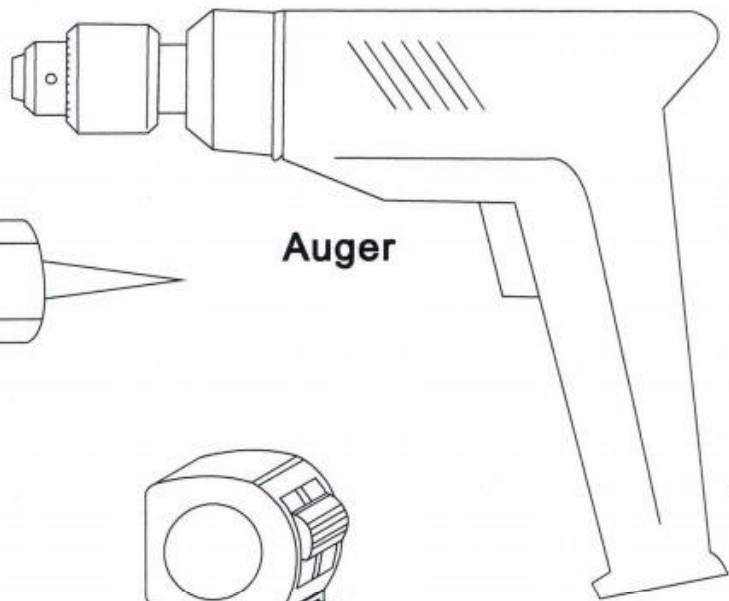
TOOLS REQUIRED(NOT SUPPLIED)

when you're ready to start,make sure that you have the following tools to hand,plenty of space and a clean dry area for assembly.

Two people are needed. Please note:although these instructions are comprehensive,We always recommend that a technically competent installer should undertake installation.

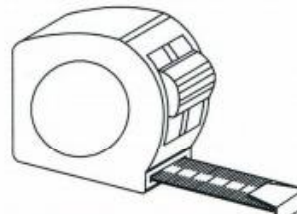
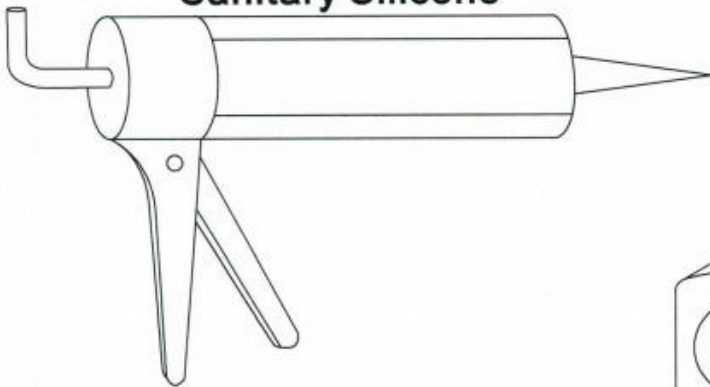


Drill beat head
4mm

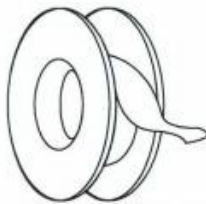


Auger

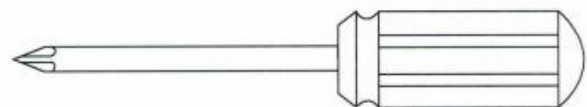
Sanitary Silicone



Tape measure



PTFE tape



Magnetic crosshead screwdriver

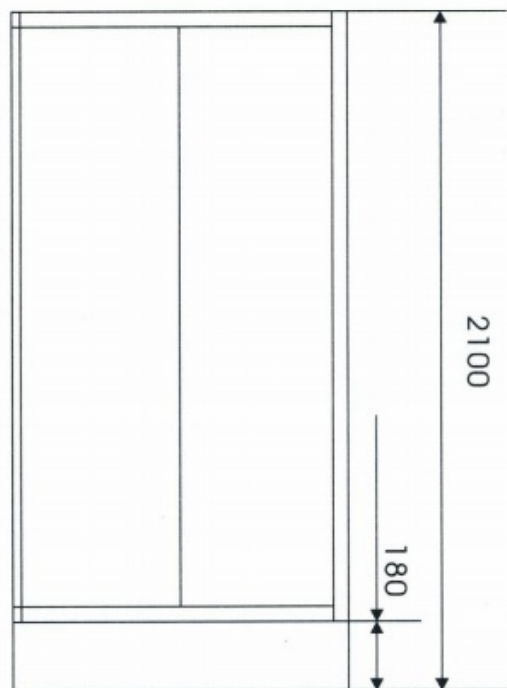
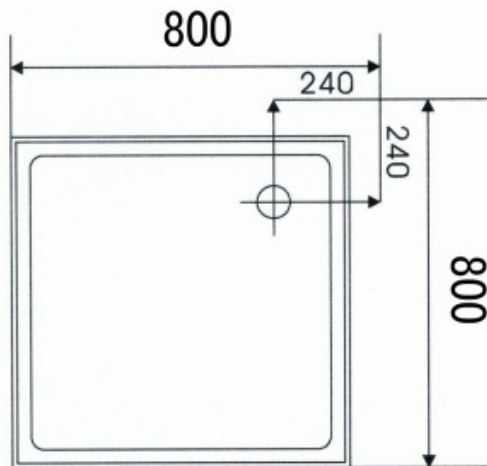
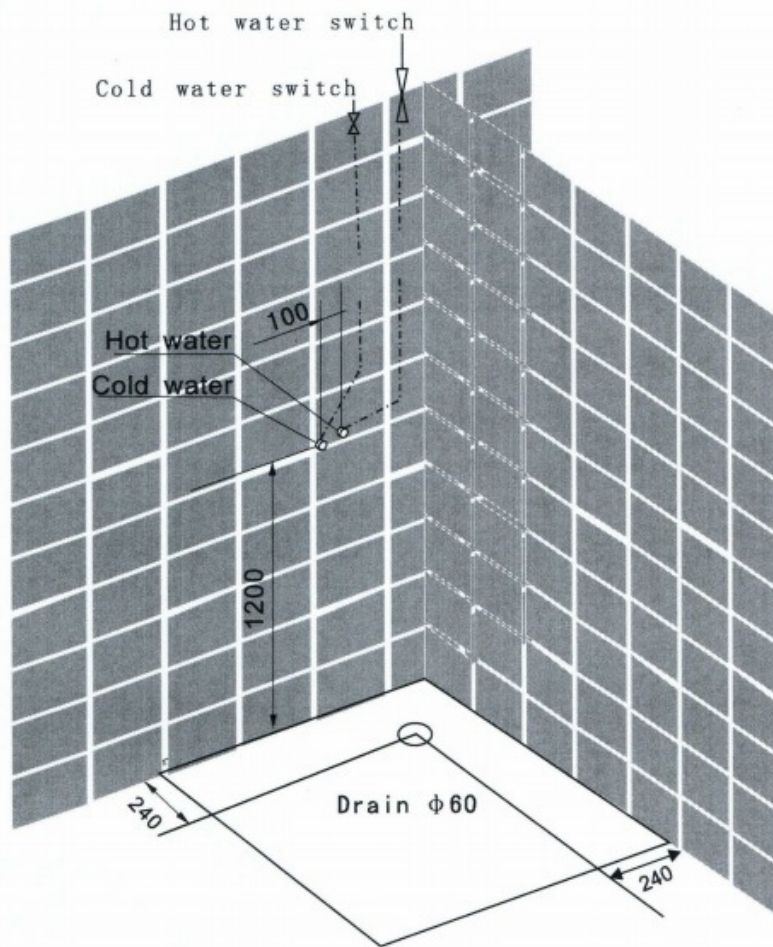


Pencil

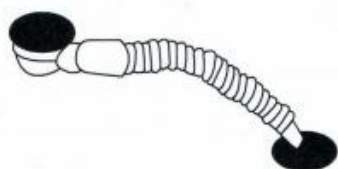
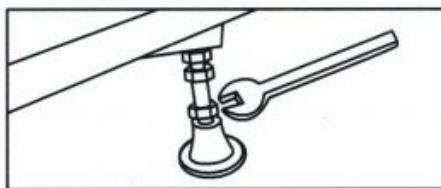
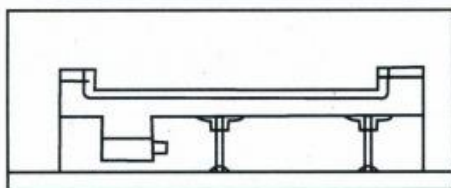


Level

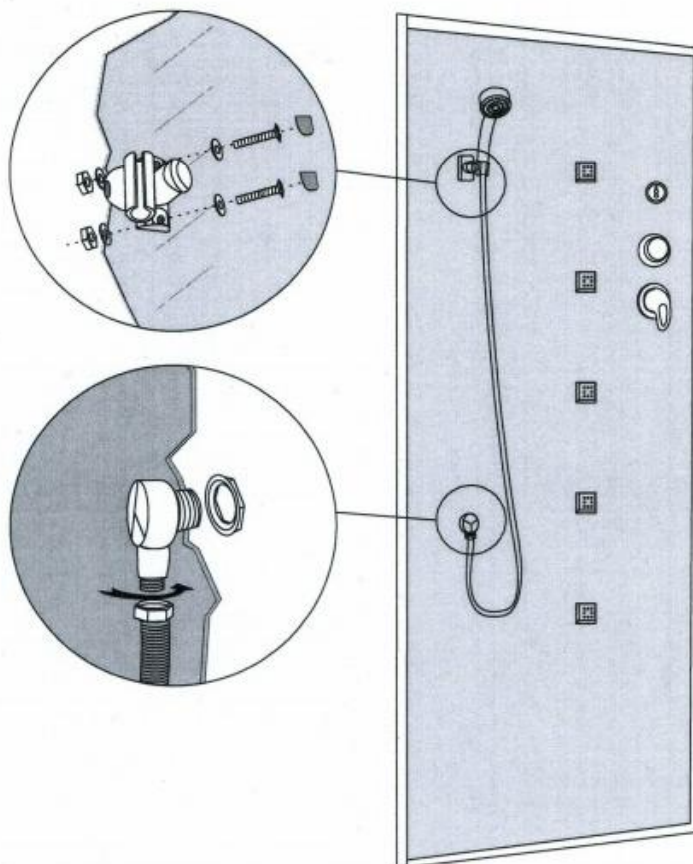
Installation instructions



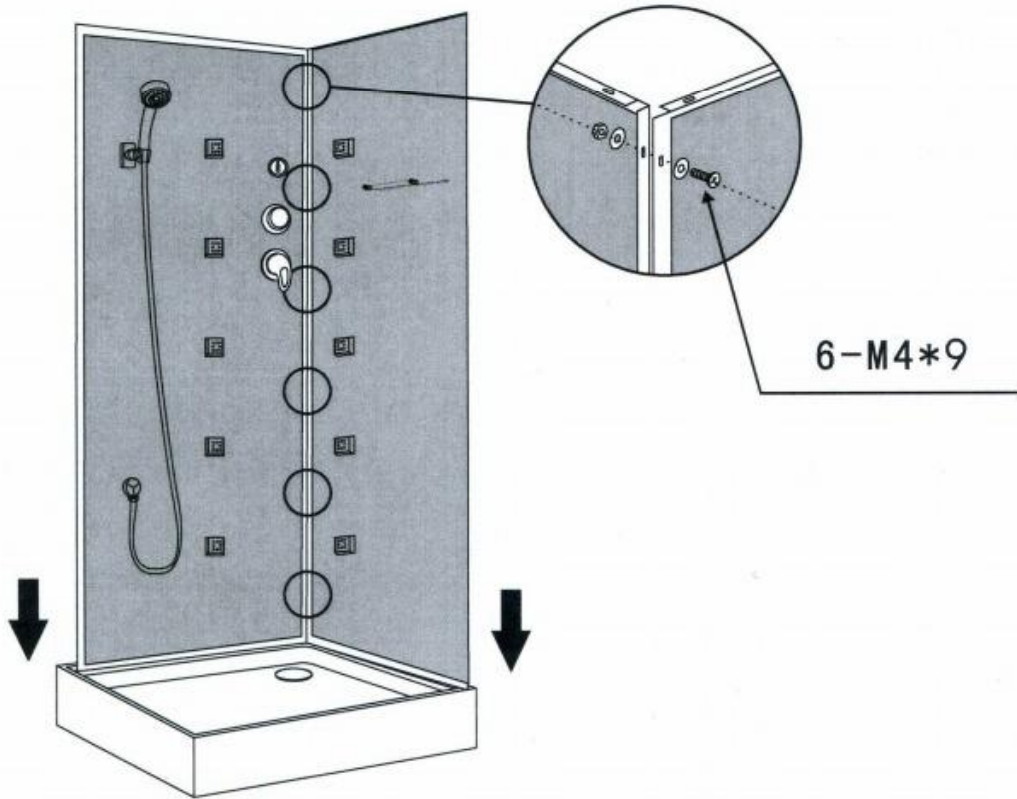
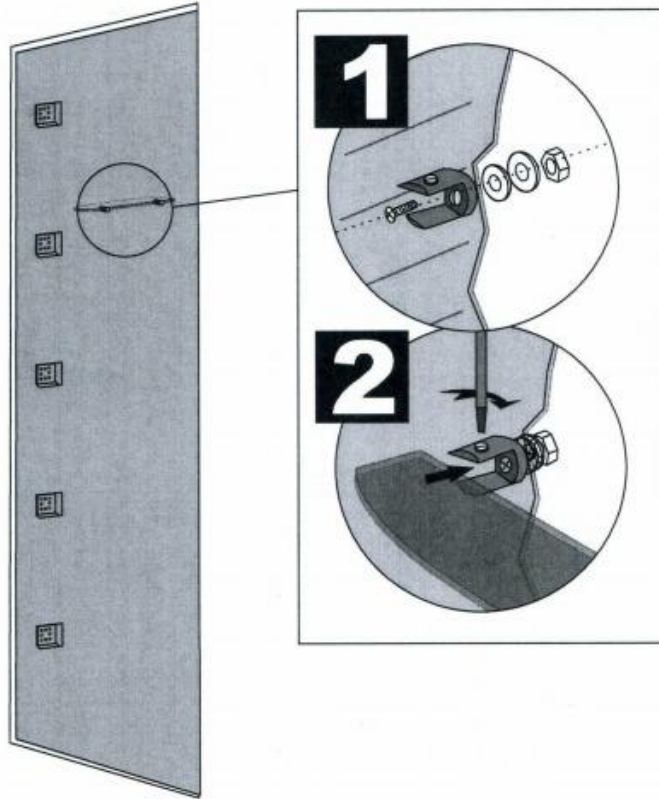
Installation instructions



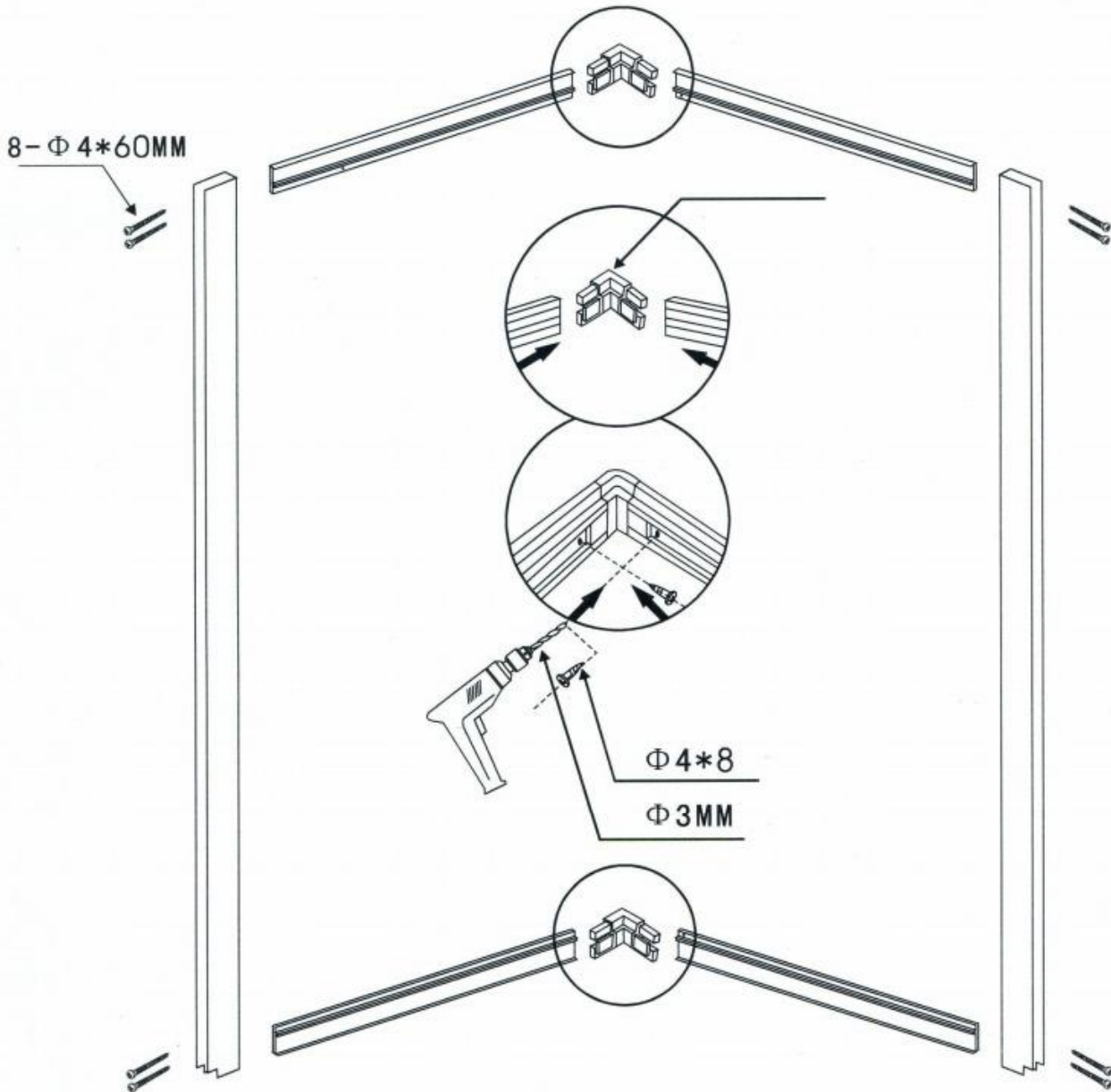
Lift the rear part of bottom basin, and then insert one end of the pipe into the drainage hole



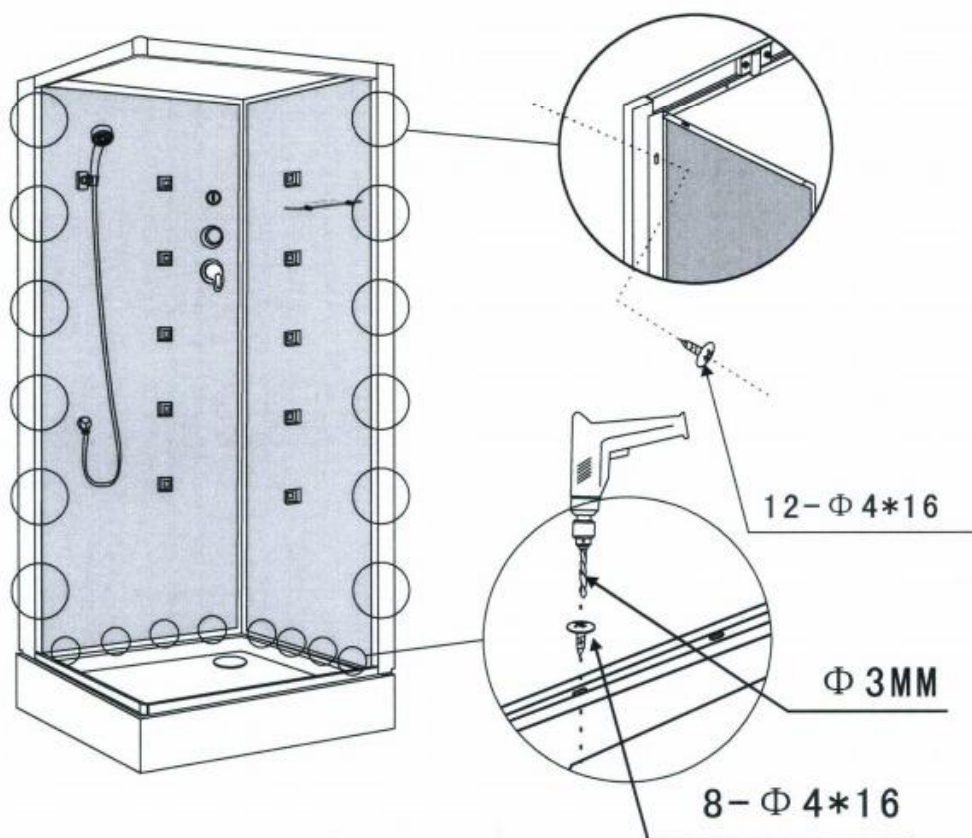
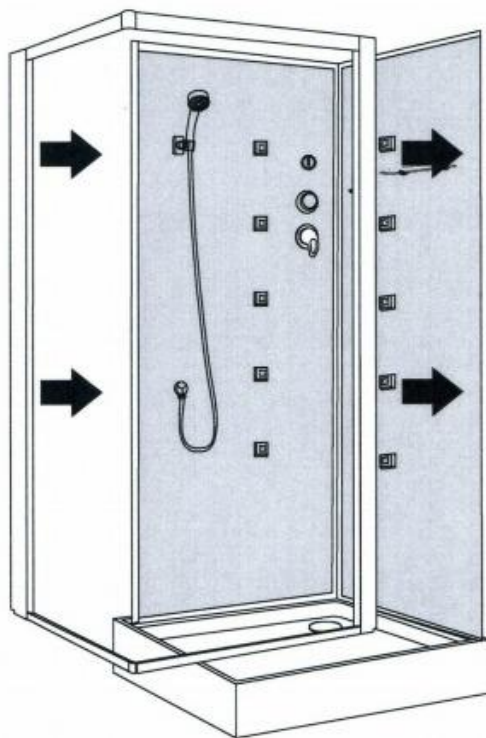
Installation instructions



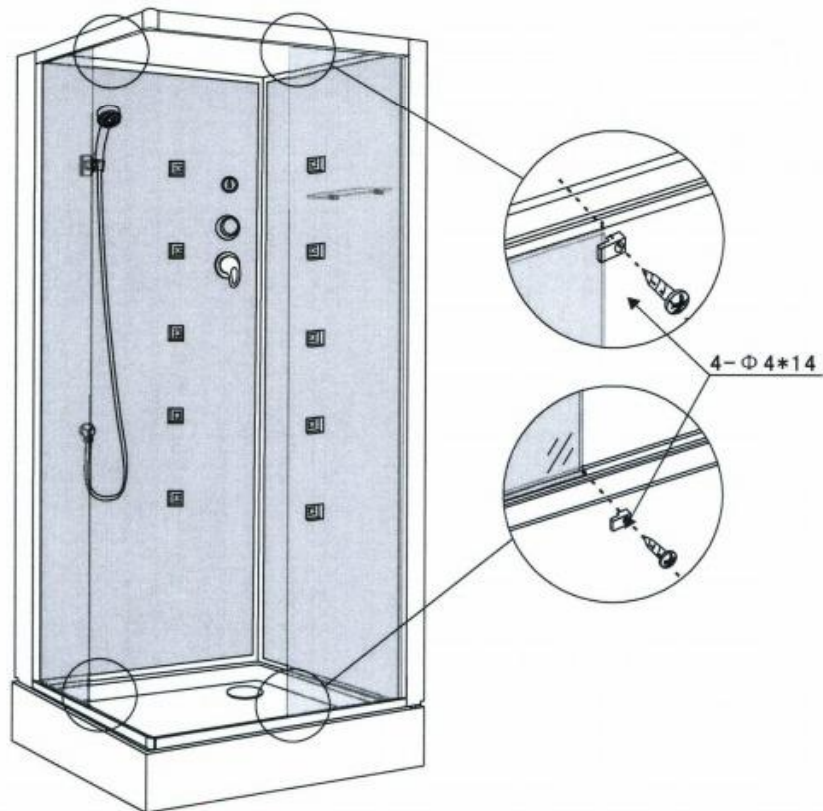
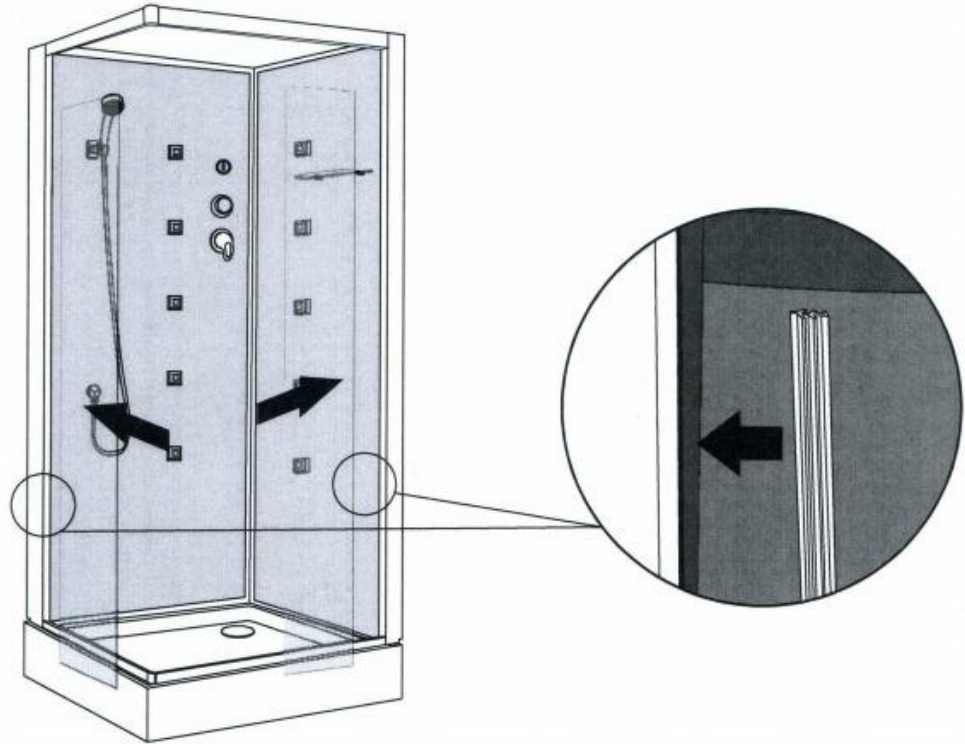
Installation instructions



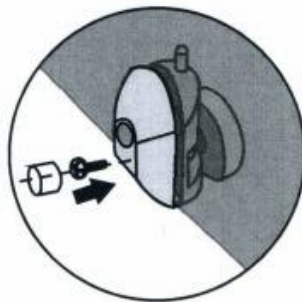
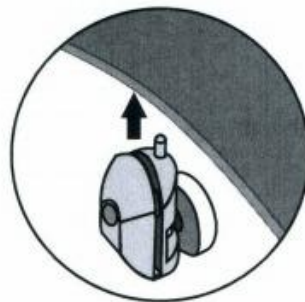
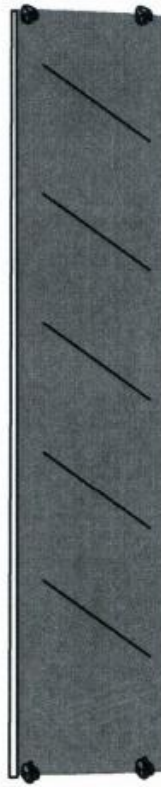
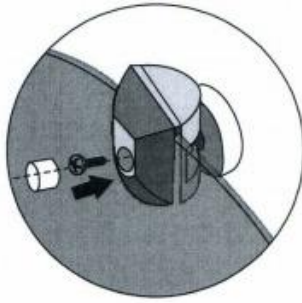
Installation instructions



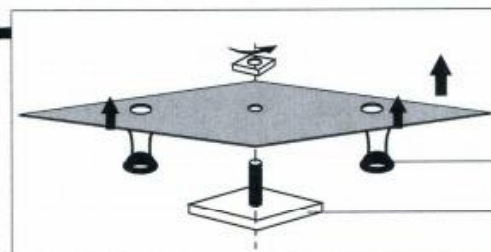
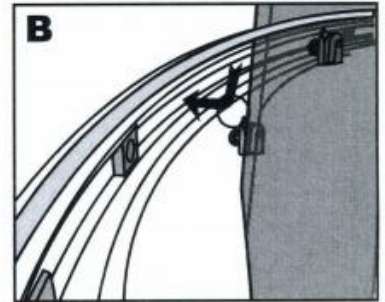
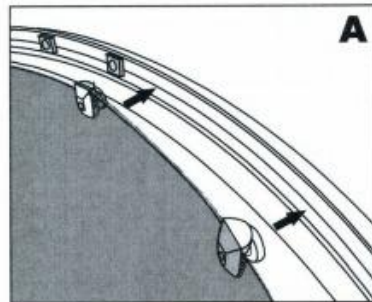
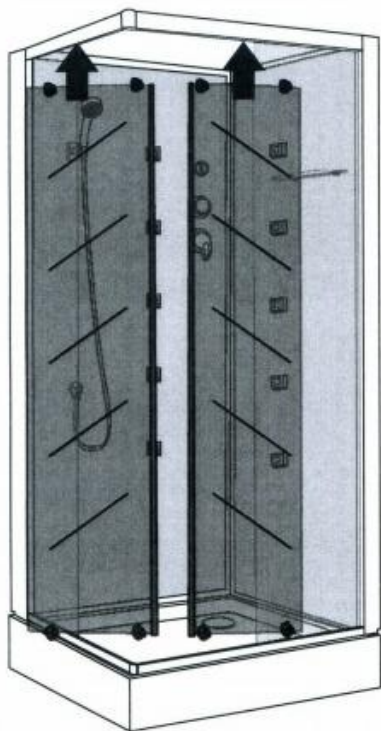
Installation instructions



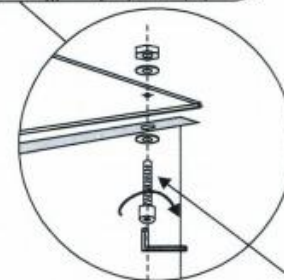
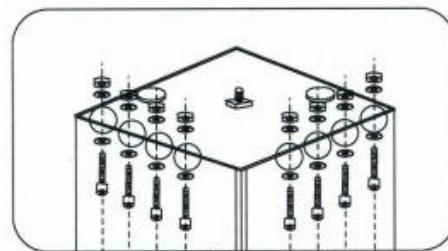
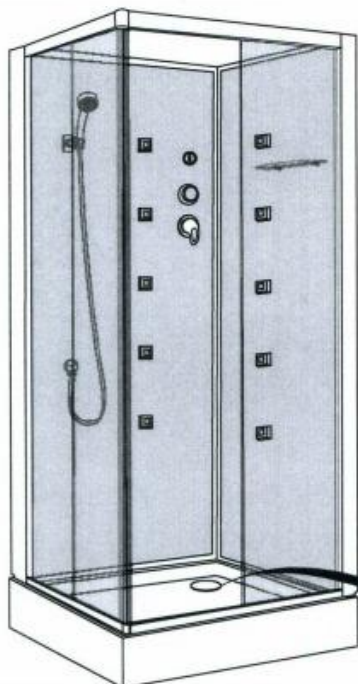
Installation instructions



Installation instructions

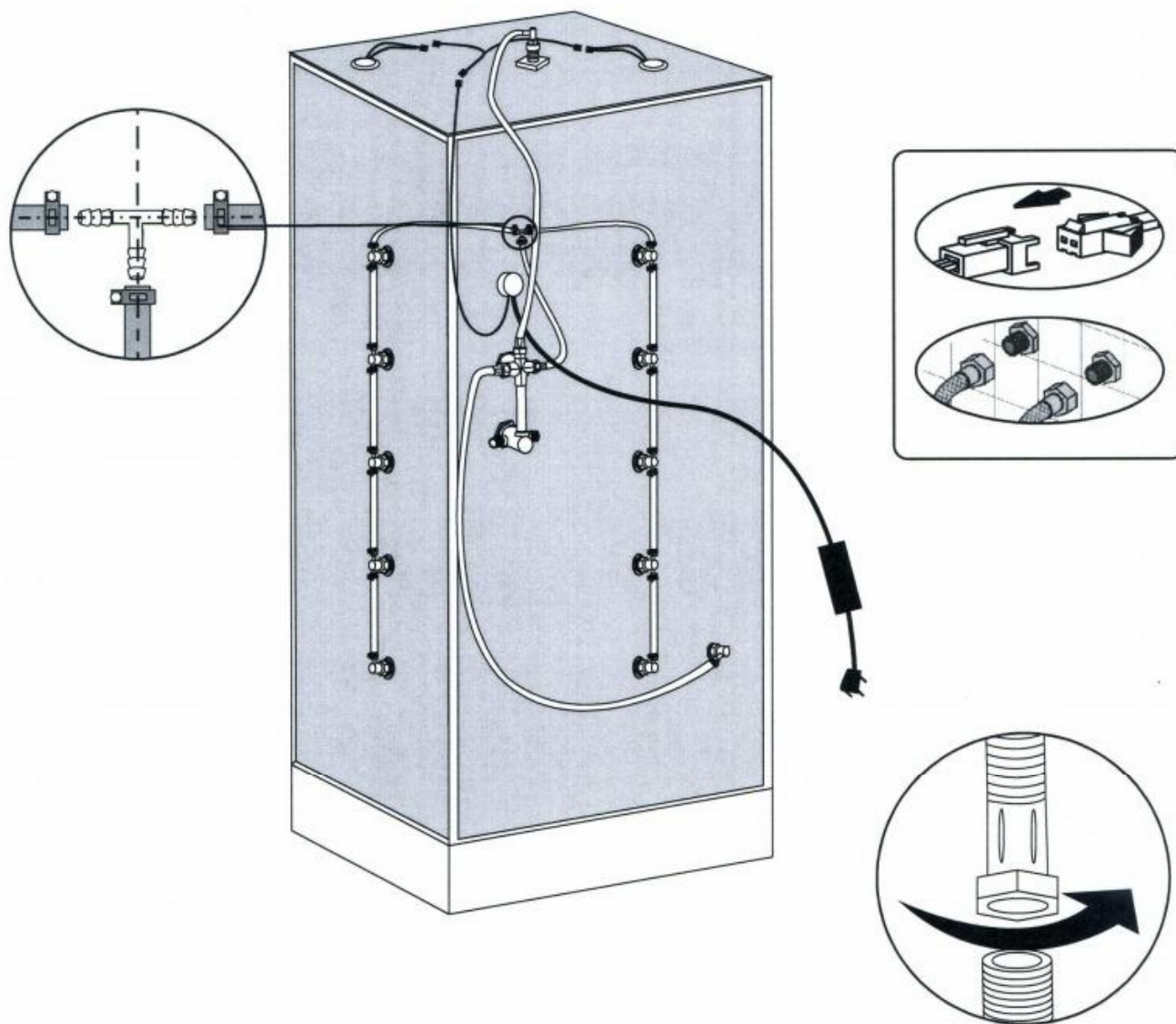


Top light
Top Shower



M4x16mm

Installation instructions



connect the electrical wire of bungalow, power and etc. correctly, connect the hose of head shower, hot water hose and cold water hose correctly, put the antenna to the top.